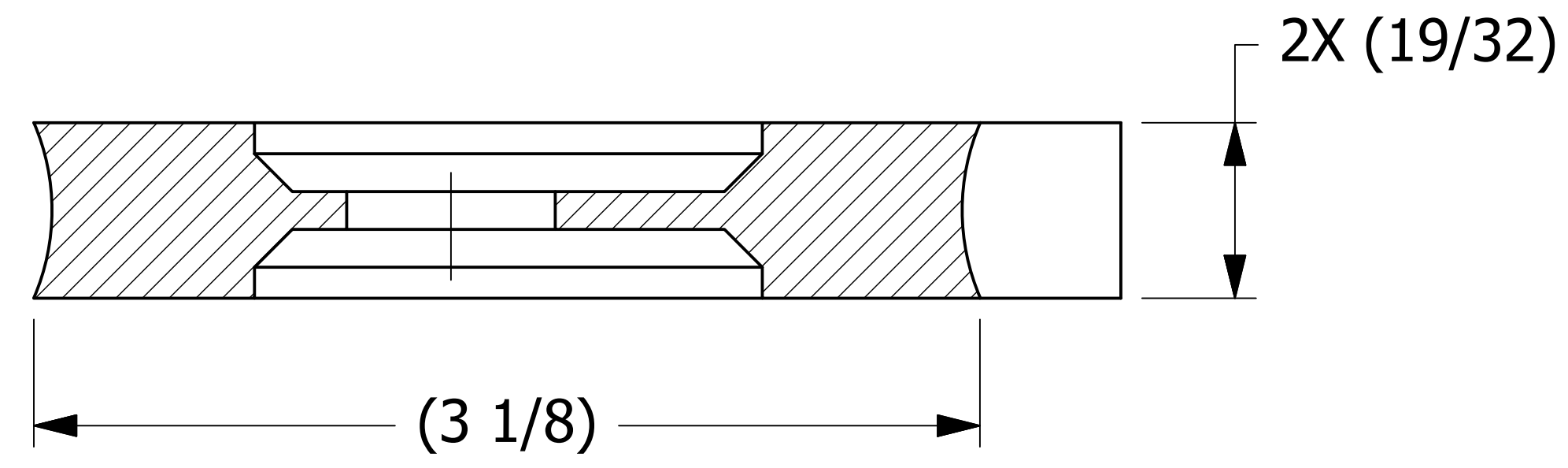
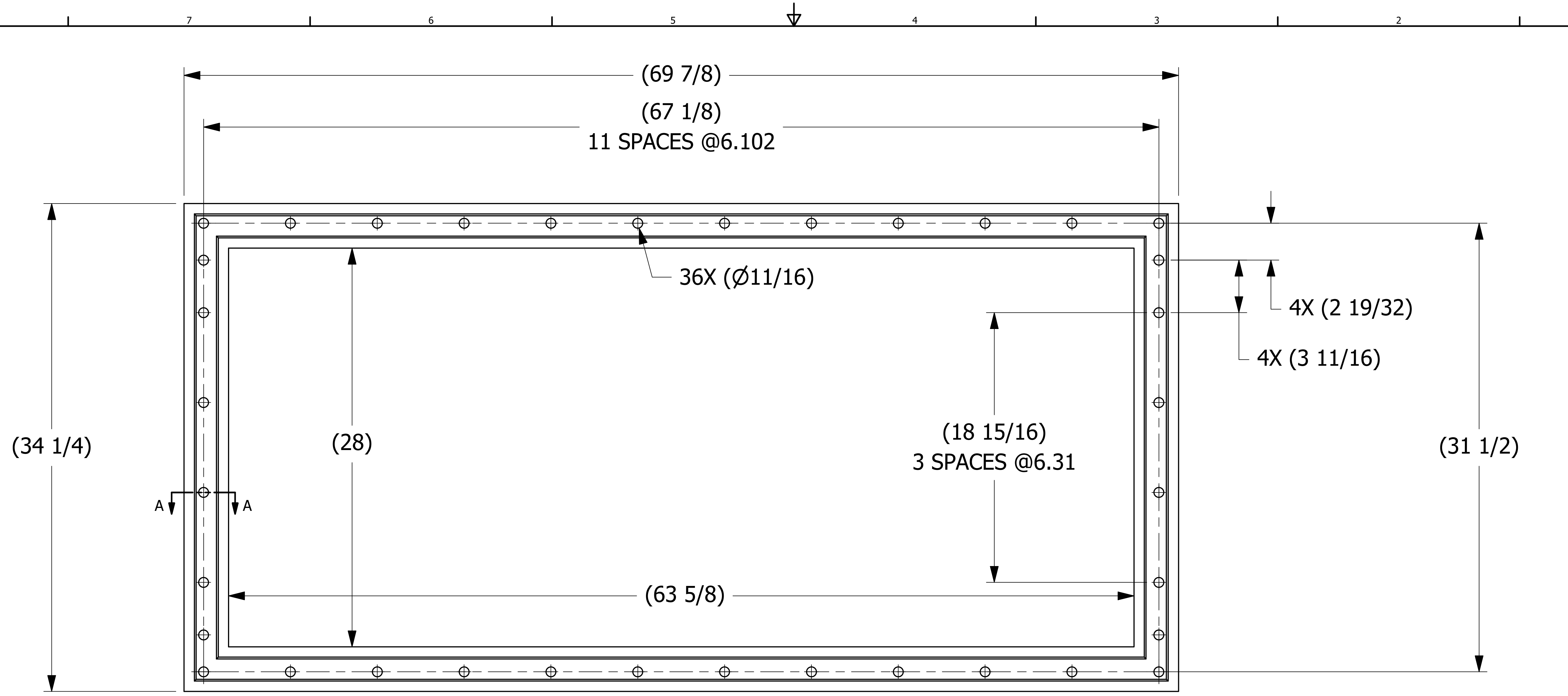


SALES DRAWING SALES DRAWING

SALES DRAWING SALES DRAWING



SECTION A-A
SCALE 2 : 1

G	WEB	2-8-17	UPDATED TOLERANCES ON DIMS 63.63 +.25/-0.00 & 28.000 +.125/-0.00 TO 63.63 +.1875/-0.0000 & 28.000 +.125/-0.000
F	RJP	1-20-17	UPDATED TO CURRENT DRAFTING STANDARDS
E	PJG	11-22-05	.13 X 45° CHAMFER WAS .13 RADIUS
D	WRB	11-03-05	ADDED .13 RADIUS
C	MRC	3-9-00	UPDATED DIMENSIONS FOR BOLTING PATTERN, NEW TITLEBLOCK
B	MRC	9-5-97	ADDED NEW TOLERANCE OF + 1/4"
A	JWO	5-4-95	TOLERANCES WERE +.125 -.031
REV	BY	DATE	DESCRIPTION

UNLESS OTHERWISE SPECIFIED DIMENSIONAL TOLERANCES FRACTIONAL: ±1/16 X.XX: ±.03 X.XXX: ±.015 ANGULAR: ±1° DEBURR ALL SHARP EDGES. ALL MACHINED SURFACES TO HAVE A 125 RMS FINISH UNLESS NOTED OTHERWISE. THIRD ANGLE PROJECTION	DRAWN BY:	MRC
	CHECKED BY:	DG
	PROTOTYPE BY:	MRC
	PROTOTYPE DATE:	9/5/1997
	APPROVED FOR PRODUCTION BY:	DG
PRODUCTION DATE:	9/5/1997	

SALCO PRODUCTS, INC.

PART NAME: **GATE GASKET**

MATERIAL: **FDA WHITE VINYL DURO 65±5 SHORE A**

PROJECT #: **1 OF 1** SCALE: **1:4**

DRAWING #: **D8943** PART #: **GG35**

THIS PRINT, PROPERTY OF SALCO PRODUCTS INC. CONTAINS PROPRIETARY INFORMATION AND MUST NOT BE COPIED, REPRODUCED, OR USED DETRIMENTALLY TO OUR INTEREST.